



# BCA Line

Analytical balances



LABORATORY

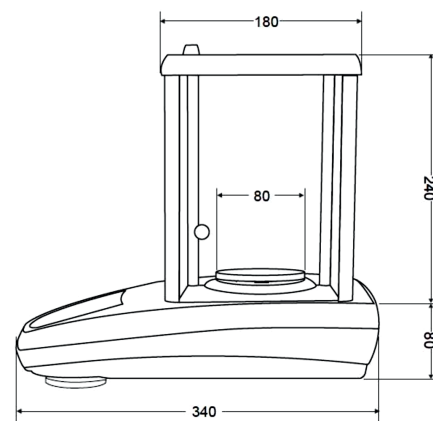
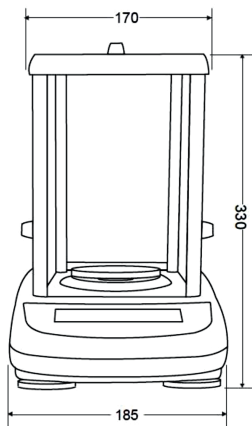


# 675 @jbY

..... 5bUmhjW 6UUbWg



- Display LCD with backlight.
- Automatic tare on completely capacity.
- Selectable measure: g, ct, oz, lb, dwt, GN, tl(hong), tl(Sgp), tl(ROC), momme.
- Weighing in percent
- Internal calibration for model with "S". example: BCA120S
- External calibration for model without "S". example: BCA120
- Weight for calibration included (for external calibration)
- Selectable filter level.
- Parts counting.
- Animal weighing.
- Setting limit.
- GLP (only with accessory cod.: A1-0001)
- Data/ora (only with accessory cod.: A1-0001)
- Multi lingue (only with accessory cod.: A1-0001)
- Formulation (only with accessory cod.: A1-0001)
- Serial interface RS232.
- Function for density of liquids and solids.
- 3 glass wind shield.
- Dust cover.
- Air bubble and levelling feet.
- Work temperature +5 - 35 °C.
- Power supply 230V/115 Vac±15% - 50/60Hz. Output 24V 500mA.
- Net weight 6,5 Kg

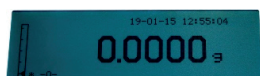


Model	Capacity	Sensitivity	Linearity	Repeatability	Pan size	Internal Calibration
<b>BCA120</b>	120 g	0,0001 g	± 0,0002 g	0,0001 g	Ø 80 mm	<b>X</b>
<b>BCA150</b>	160 g	0,0001 g	± 0,0002 g	0,0001 g	Ø 80 mm	<b>X</b>
<b>BCA200</b>	250 g	0,0001 g	± 0,0002 g	0,0001 g	Ø 80 mm	<b>X</b>
<b>BCA120S</b>	120 g	0,0001 g	± 0,0002 g	0,0001 g	Ø 80 mm	✓
<b>BCA150S</b>	160 g	0,0001 g	± 0,0002 g	0,0001 g	Ø 80 mm	✓
<b>BCA200S</b>	250 g	0,0001 g	± 0,0002 g	0,0001 g	Ø 80 mm	✓
<b>BCA310S</b>	310 g	0,0001 g	± 0,0002 g	0,0001 g	Ø 80 mm	✓
<b>BCA410S</b>	410 g	0,0001 g	± 0,0002 g	0,0001 g	Ø 80 mm	✓
<b>BCA510S</b>	510 g	0,0001 g	± 0,0002 g	0,0001 g	Ø 80 mm	✓
<b>BCA610S</b>	610 g	0,0001 g	± 0,0002 g	0,0001 g	Ø 80 mm	✓



#### Optional accessories

<b>A1-0001</b>	Graphic display with GPL functions, date/time, multilingual and formulation
<b>A1-0002</b>	Tablet system 7" for BCA scales with APP USB version
<b>A1-0003</b>	Tablet system 7" for BCA scales with APP BLUETOOTH version
<b>A1-0005</b>	Device for specific weight liquid
<b>A1-0010</b>	Device for specific weight solid
<b>A1-0015</b>	Device for specific weight liquid and solid
<b>A1-0020</b>	External keypad
<b>A1-0025</b>	Converter RS232/USB with USB cable
<b>A1-0030</b>	Connecting cables RS232 9 pole M/M.
<b>A2-0100</b>	Power supply 24V/500 mA ( <i>replacement</i> ).
<b>A2-0105</b>	Dust cover ( <i>replacement</i> ).
<b>A1-1000</b>	Ionizer to eliminate electrostatic charges
<b>A3-0003</b>	Anti-vibration table with granite top
<b>TLP50</b>	Thermal printer with date / time - RS232 - Complete with connecting cables


**A1-0001**

**A1-0002**  
**A1-0003**

**A1-0005**

**A1-0010**

**A1-0015**



A3-0003

### Anti-vibration table

Granite top and aluminium base  
The anti-vibration table provides a stable surface for normal use weighing procedures greatly reducing vibrations and accidental impacts.

Designed for the laboratory or metrological room, minimalist design, aluminium structure self-supporting.

- Large work surface of 400x450mm
- Aluminium frame, easy to assemble.
- Adjustable feet for uneven surfaces
- Anti-scratch granite countertop
- Glossy finish
- Adjustable rubber shock absorbers
- Table dimensions: 800x600x782
- Weight of the granite top: 35 Kg
- Total table weight: 55 Kg

### Tablet system 7" for BCA scales with APP.

Tablet 7 "touch,  
with Android system.  
Integrated management app

- USB version
- BLUETOOTH version



A1-0002/A1-0003



TLP50

### Thermal printer with date / time

Printer that can be connected to all scales with RS232 data output. Supplied with connection cables and date / time setting software. Printing method with time and date, possibility to print on adhesive labels or thermal paper.

- Printing with barcode (CODE 39, UPC-A, JAN (EAN) 13)
- Print with TIME and DATE
- Print speed 25mm / sec
- Possibility of print with continuous paper or with adhesive labels
- RS232 serial interface
- 48mm printing sheet
- DC12V power supply (supplied)
- RS232 cable (supplied)

### Ionizer to eliminate electrostatic charges

The ionizer possesses two conductive needles that fed at a high voltage produce ions with positive and negative charge. These ions are attracted to the weighing material electrostatically charged, thus neutralizing the disturbing electrostatic charge. Neutralizing the electrostatic charges disappears the forces that falsify the weighing (eg incorrect weighing result, instability).

- Distance between sample and ionizer approx. 5 - 40cm
- Draining time 9s/5cm, 13s/10cm, 100s/40cm (with blower on)
- Ozone concentration from 0~0.05ppm (2cm from ion source)
- Volume max. of air 0.03 cm<sup>3</sup>/min
- Specific environmental conditions 0-50°C, 20 ~ 80% air humidity (no condensation)
- DC12V power supply, 500mA Input: AC100-240V, 50 / 60Hz
- Degree of pollution 2
- Category II overvoltage category
- Maximum installation height up to 2000m
- Dimensions: 11x10.5x4.5mm
- Weight: 310g



A1-0002/A1-0003